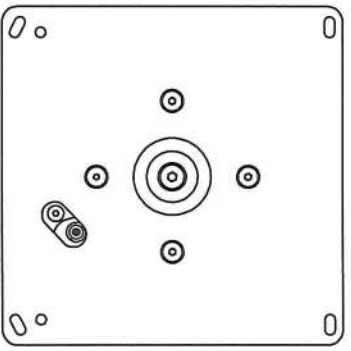
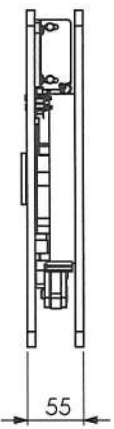
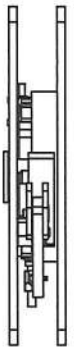
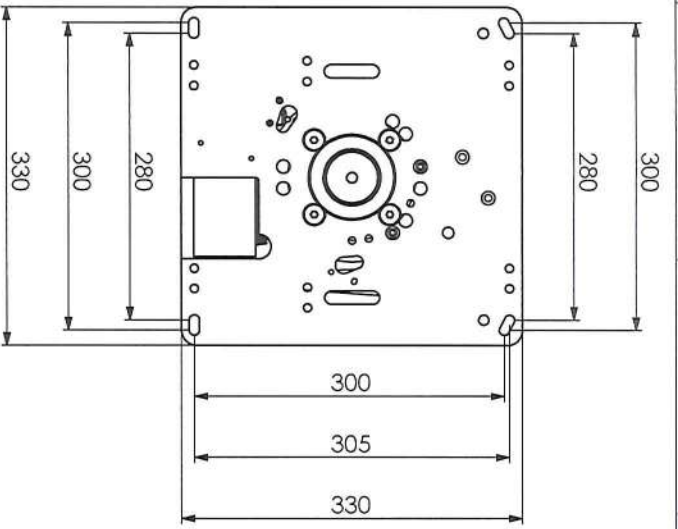


83.44.1900



Designed by	Checked by		
FS			

Artikelnr.	Flernome	Date	Scale
13050614-1	44000	2008-05-28	1:5

V-SKIVA EV97 12/24 V

44000

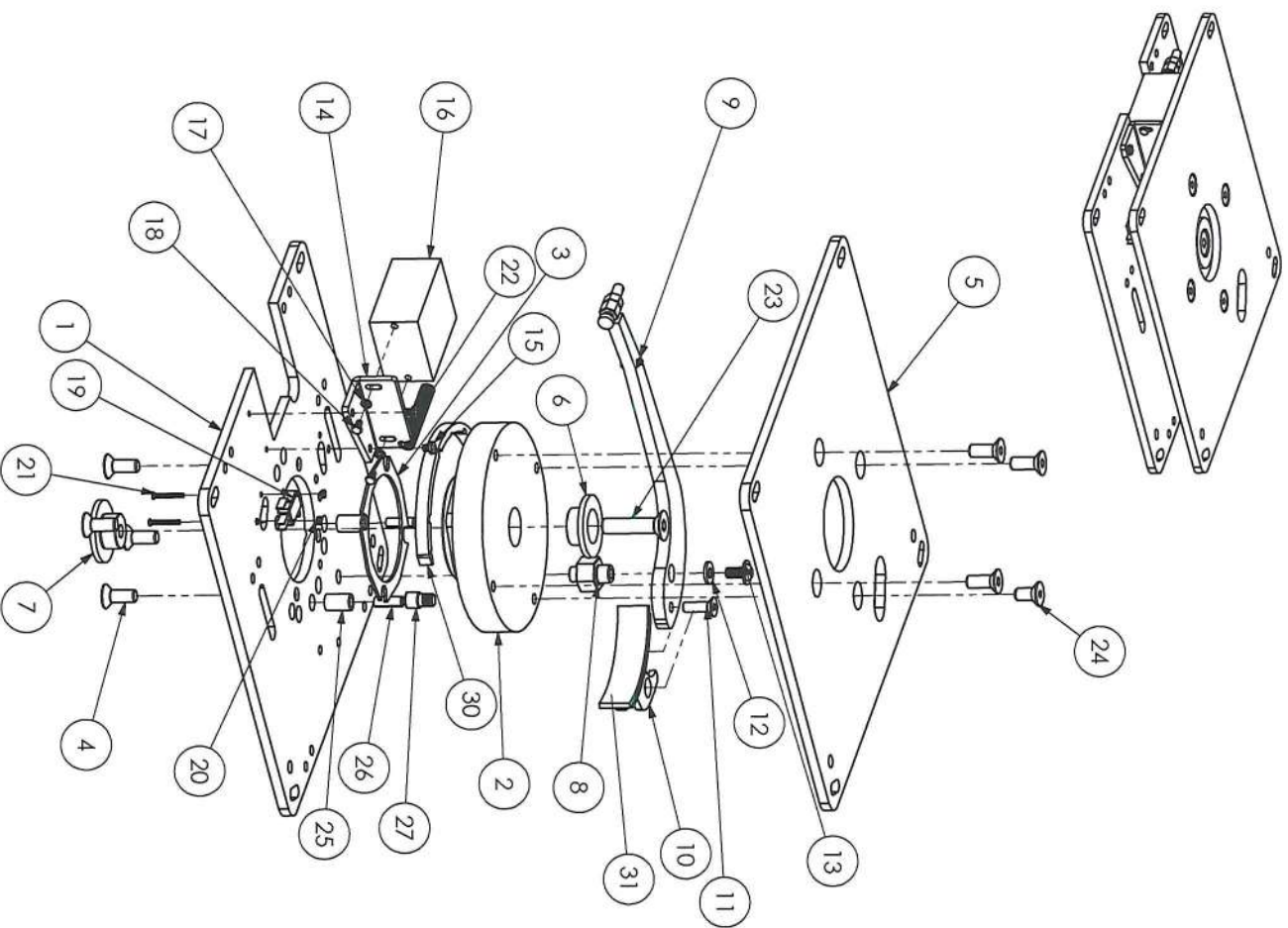
Edition B Sheet 3 (4)

A B C D E F

A B C D E F

1 2 3 4 5 6 7 8

1 2 3 4 5 6 7 8

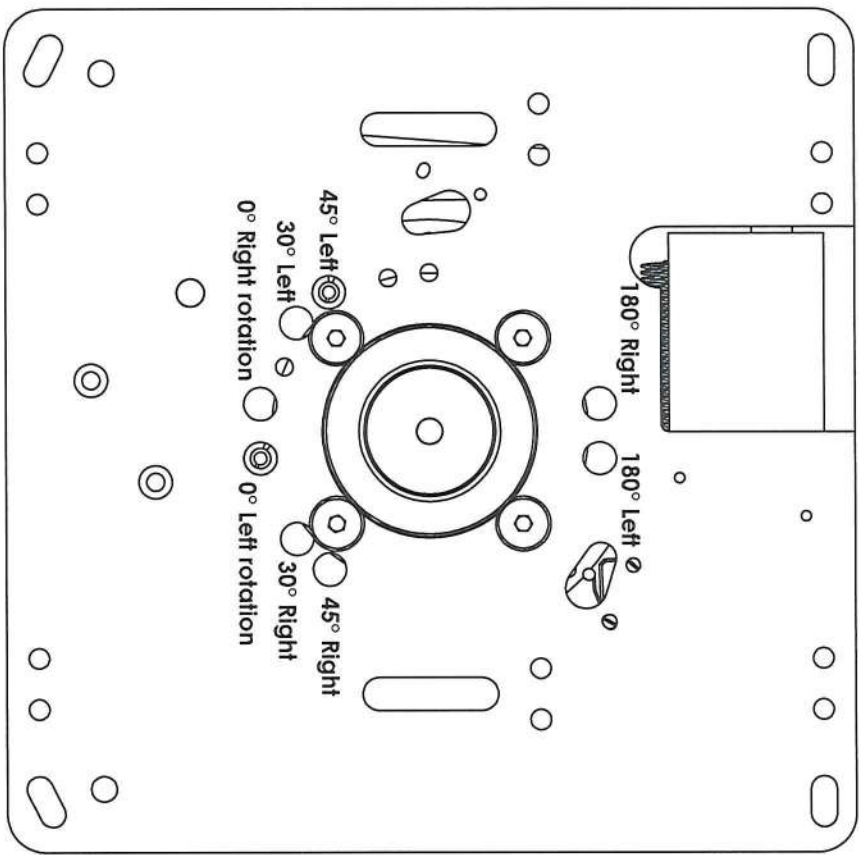


ITEM NO.	QTY.	Description	Drawing	Article no.
1	1	Bottom plate	967	9900171
2	1	Centre bearing		990006-2
3	1	Spacer plate	60017	980281
4	7	Bolt M10		980204
5	1	Top plate	966	9900161
6	1	Bearing secure washer	41111	980500
7	1	Bearing secure nut	10013	993291
8	1	Bearing insert	968	9900961
9	1	Lock arm	791	900012
10	1	Brake shoe	792	990176
11	1	Screw M8x25 MF6S		993252
12	1	Washer		993054
13	1	Bolt M8		993258
14	1	Bracket, solenoid	976	990105
15	2	Screw MRX DOZ M5x12		993226
16	1	Solenoid		900009
17	2	Washer 4,3x8x1,0		993152
18	2	Screw M6S M4x10		993144
19	1	Micro switch		65180102
20	2	Nut		993094
21	2	Screw		993269
22	1	Spring		990097
23	1	Screw		993037
24	1	Bolt		993036
25	2	Pin FRP 13x20		993160
26	2	Pin FRP 8x22		993058
27	1	Bolt M6S M10x12 spec.	41216	980373
28	1	Cam curve	1882	990160
29	1	Break block		900008

Designed by FS
 Checked by
 Article no. 13050614-1
 Filenome 44000
 Date 2008-05-28
 Scale 1:4

V-skivga EV97 12/24 V

44000
 Edition B
 Sheet 2 (4)



Designed by	Checked by		
FS			

Article no.	Filename	Date	Scale
13050614-1	44000	2008-05-28	1:2
Title			
V-SKIVA EV97 12/24 V			
Drawing no.	Edition	Format	Sheet
44000	B	A3	4 (4)