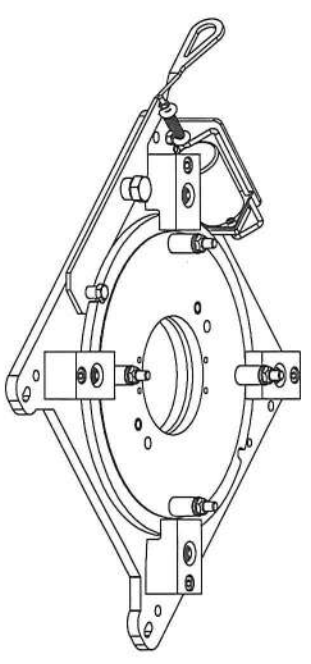
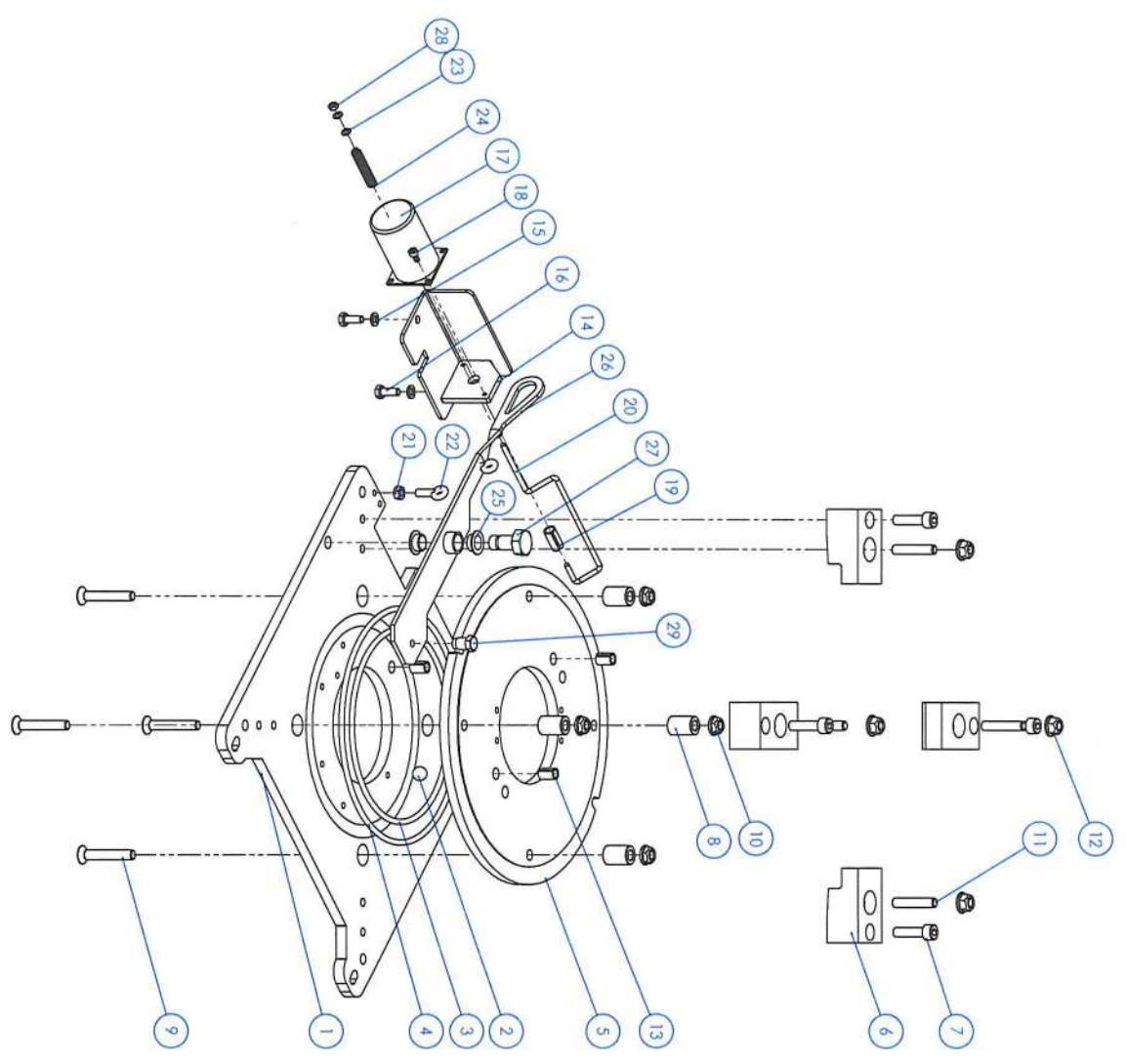


FORBEREDT ÅRSGESAMT
 DE PROJEKTAVTAVNINGER
 OG TEGNINGER
 ER EGENE
 OG ER IKKE
 ANSVARLIGT
 FOR
 FEJL
 I
 TAVNINGEN
 (11.11.2012)

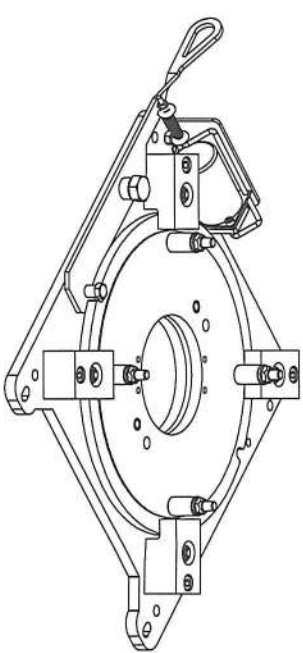
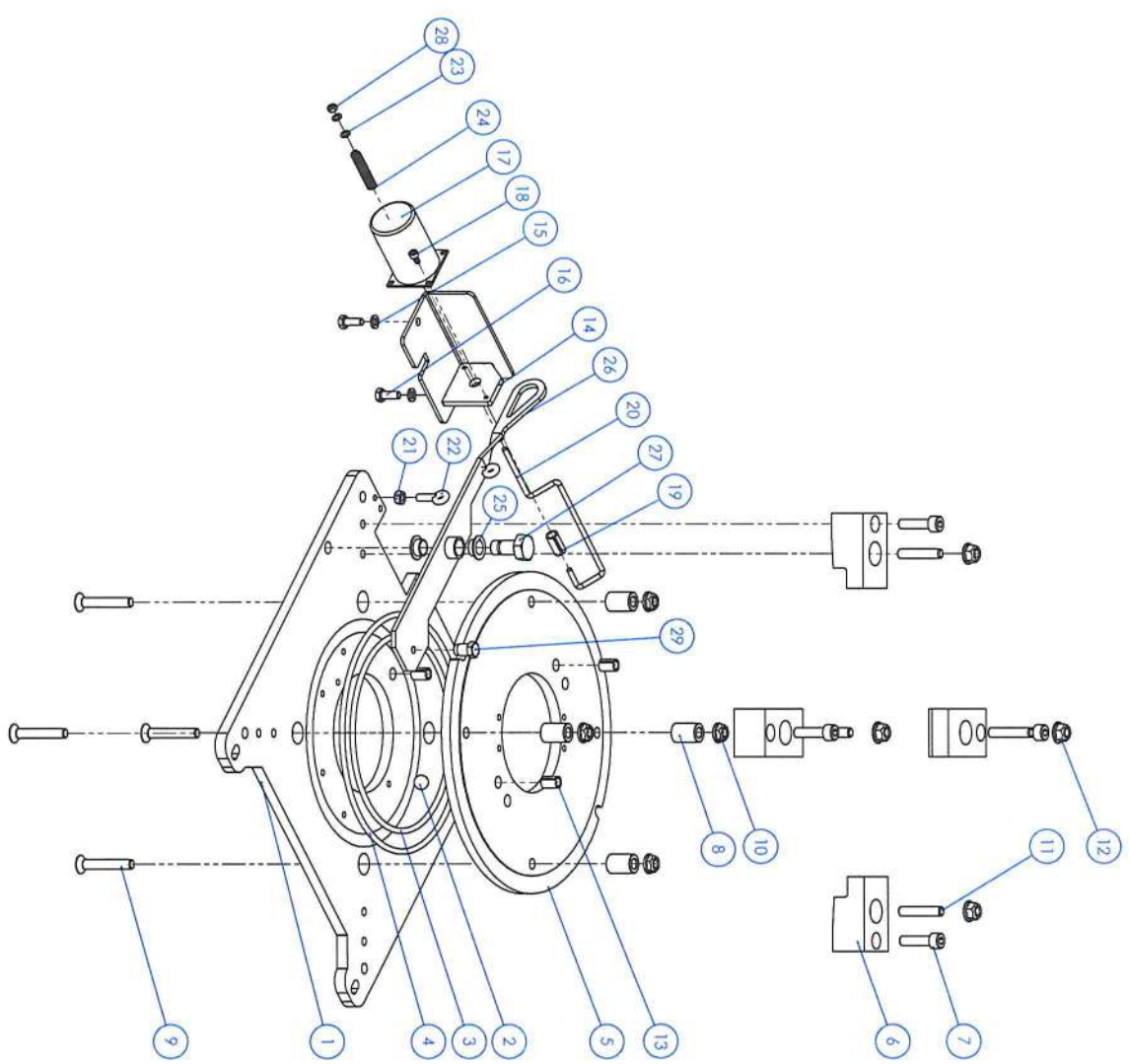
83142850



Str. no.	83142850	Revision	
9	Created on per FCN in gear replaced 990173 by 99024 & 99206	Signatur	KK
		Date	12/03/15
		Approved	VH

ITEM NO.	QTY.	Description	Drawing	Article no.
1	1	Overplødt	277	990014
2	1	Lagerkurul RB12 set 47 st		990032
3	1	O-ring flen 4.5mm L=0.515 m.		990204
4	1	O-ring stor 4.5mm L=0.625 m.		990205
5	1	Rondell	42509	997620
6	4	Acetalkloss	745	990047-1
7	4	Skriv M8x30 MC65 ovenh. 10,9		993028
8	4	Distanser	140	990021
9	4	Insekskriv 10,9 MF65 M8x50		993029
10	4	Flansmutter Tensiflans M8		993266
11	4	Flansbult M8x40	44059	980274
12	4	Flansmutter M8		980674
13	3	FRP 10x14		993059
14	1	Faste elmagnet KPL	1848	990168
15	2	Brickæ BRB 6.4x12x1.5 DIN125		993056
16	2	Skriv M6x16 M65 F2B 8.8		993100
17	1	Elmagnet 24V		65200401
18	2	Skriv MC65 M4x8		993254
19	1	FRP 10x20		993271
20	1	Bockad bygel	209	990036
21	1	Mutter M6		993001
22	1	Skrivegla M6x16		990022
23	3	Nitbricke 5.3x15x1.2 F2b		994008
24	1	Tyckflader 1x6x50		990024
25	2	Flansbusning B8 1207EP brotschas		990048
26	1	Høværn BYGGO m handt exkl tapp	2064	990179
27	1	Fasbult vandrskiva Byggo	293	993066
28	1	Nylonismutter M4 f2b	993014	993014
29	1	Tapp loctite	980	990089

Designet af	FS	Checket af	FS
Artikel no.	13030504	1846	
Dato	2015-02-12		
Scale	1:3		
V-skiva Byggo 24V solenoid, 0-180 Byggo no. 1846 Strømt A2 Form 1 (3)			



ITEM NO.	QTY.	Description	Drawing	Article no.
1	1	Upper plate	277	990014
2	1	Balls R812 47 pieces		990032
3	1	O-ring Small 4.5mm L=0.515 m.		990204
4	1	O-ring Large 4.5mm L=0.625m.		990205
5	1	Circular plate	42509	997620
6	4	Acetal block	745	990047-1
7	4	Screw M8x30 MCG5		993028
8	4	Distance	140	990021
9	4	Screw		993029
10	4	Flange nut M8		993266
11	4	Stud	44059	980274
12	4	Flange Nut locking M8		980674
13	3	Pin FRP 13x20		993059
14	1	Magnet attachment KPL	1848	990168
15	2	Washer 6.4x12x1.5 BR8 DIN 125		993056
16	2	Screw M6x16 M65		993100
17	1	Electrical magnet		65200401
18	2	Screw M4x8 MCG5		993254
19	1	Pin FRP 10x20		993271
20	1	Hoop	209	990036
21	1	Nut M6		993001
22	1	Loop screw		990022
23	3	Washer 5.3x15x1.2		994008
24	1	Spring		990024
25	2	Flanged bush		990048
26	1	Lever Byggo with Handle excl top	2064	990179
27	1	Pass Bolt Byggo Turntable	293	993066
28	1	Locking nut M4		993014
29	1	Pin	980	990089

Designed by	Checked by	Article no.	Revision	Date	Scale
KK	FS	13030504	1846	2015-02-12	1:3

Title		Drawing	Format	Sheet
Turntable Byggo 24V solenoid: O-180		B	A2	2 (3)
1846				

